

***advanced FLOW engineering*** Magnum Force Stage-2 Intake System

**Instruction Manual** P/N: 54-13046D / 54-13046R

Make: RAM

Model: 2500

Year: 2019-2020

Engine: L6-6.7L(td) Cummins

Make: RAM

Model: 3500

Year: 2019-2020

Engine: L6-6.7L(td) Cummins



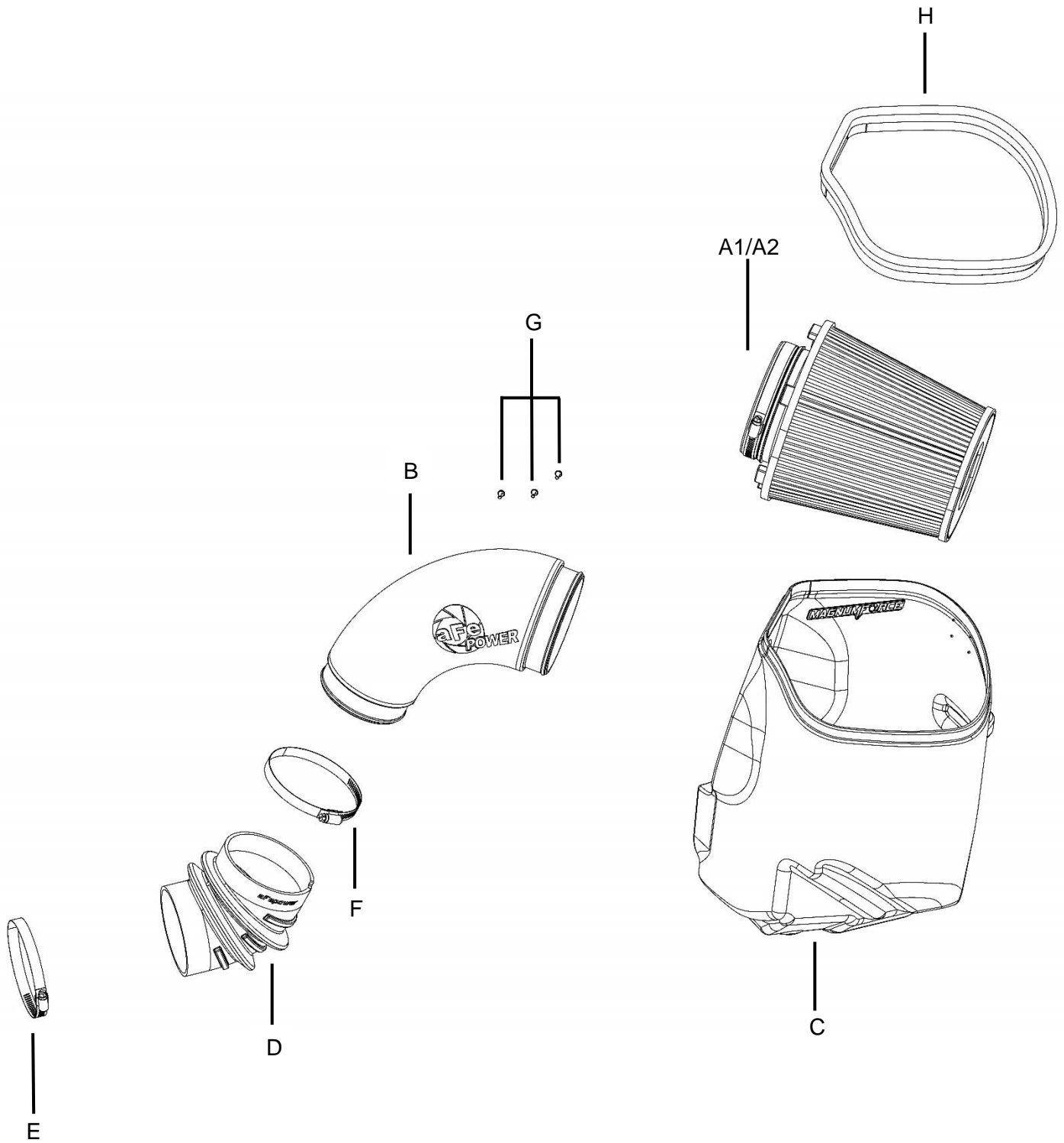
- Please read the entire instruction manual before proceeding.
- Ensure all components listed are present.
- If you are missing any of the components, call customer support at 951-493-7185.
- Ensure you have all necessary tools before proceeding.
- Do not attempt to work on your vehicle when the engine is hot.
- Retain factory parts for future use.

Label	Qty.	Description	Part Number
A1	1	Air Filter (Pro 5R) For 54-13046R	24-91120
A2	1	Air Filter (Pro DRY S) For 54-13046D	21-91120
B	1	Tube	05-5413046B1
C	1	Housing	05-5413046B2
D	1	Coupling, Silicone Bellow Reducer	05-01521
E	1	Clamp, #064	03-50006
F	1	Clamp, #072	03-50010
G	3	Screw, Torx: M4	03-50490
H	1	Seal, Trim: Double bulb (37.25" Length)	05-01534

**Installation will require the following tools:**

8mm & 10mm nut drivers or ratchet and sockets, T20 torx bit or driver, pliers or flat-head screwdriver

**Emissions Disclaimer:** This product is not currently CARB exempt and is not available for purchase in California or for use on any vehicle registered with the California Department of Motor Vehicles.



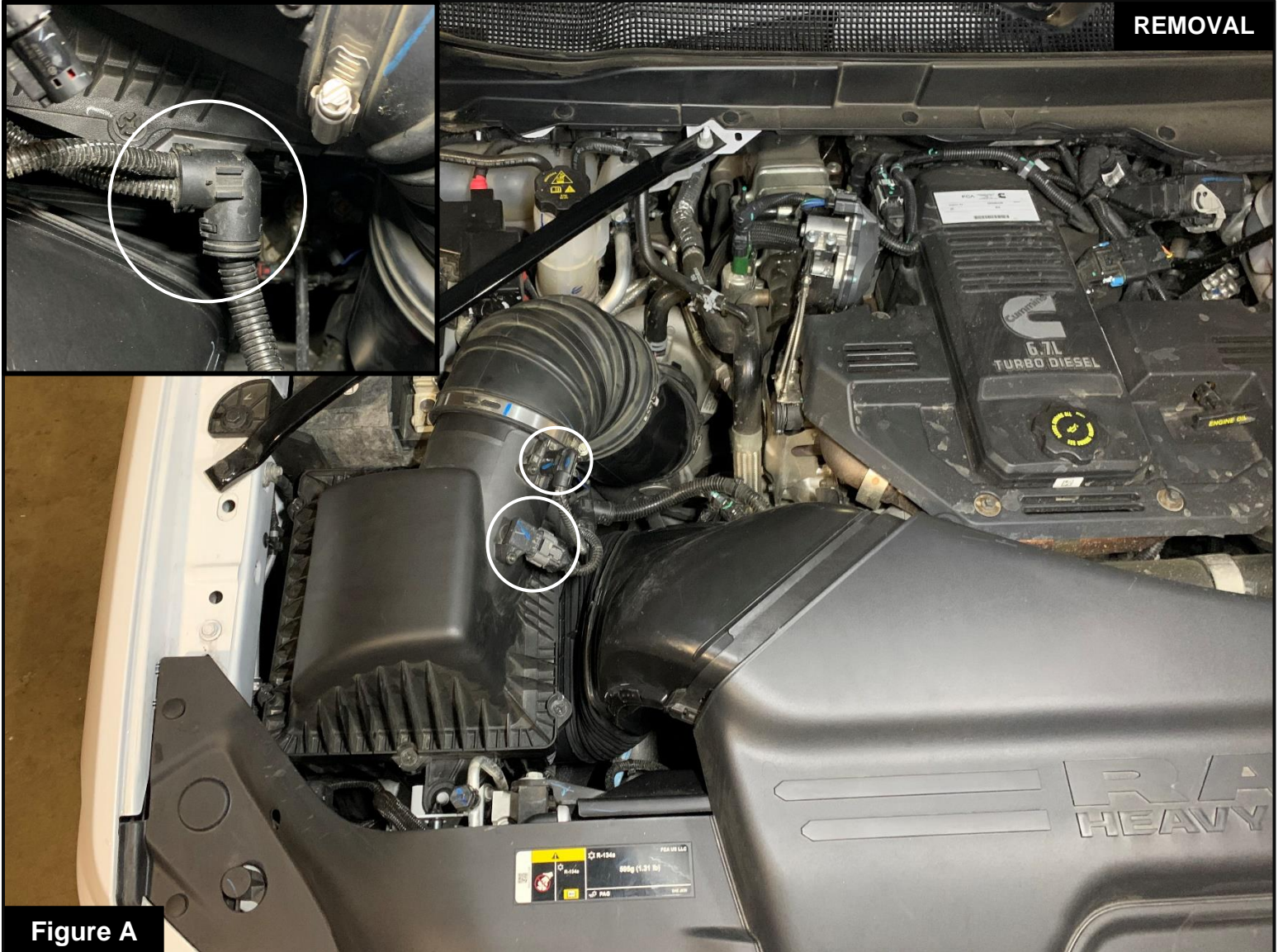
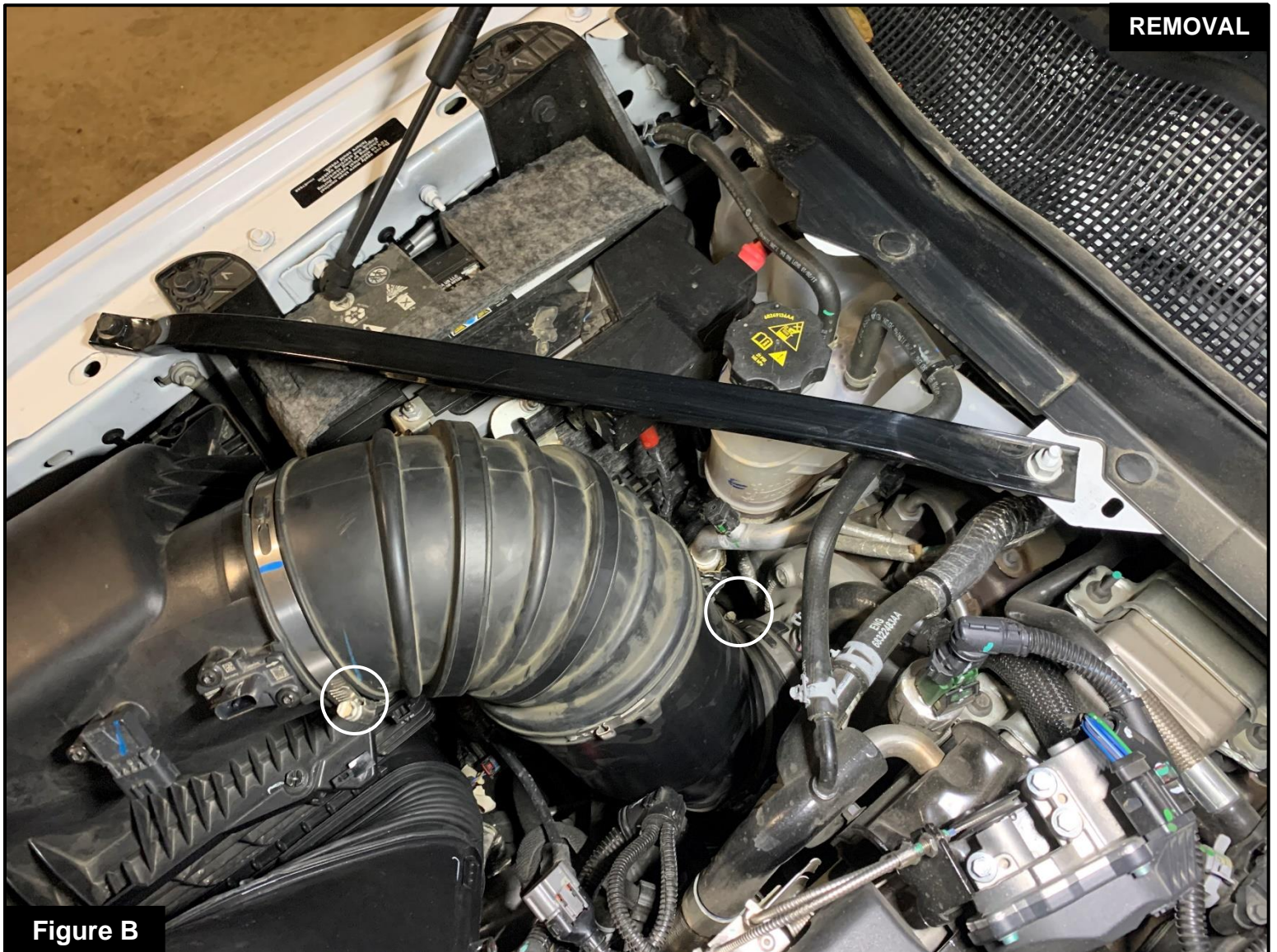


Figure A

**Refer to Figure A for Steps 1-2**

Step 1: After making sure your vehicle is completely off and in sleep mode, disconnect the Mass Air Flow (MAF) Sensor and temperature sensor.

Step 2: Unclip the harness from the factory air box.

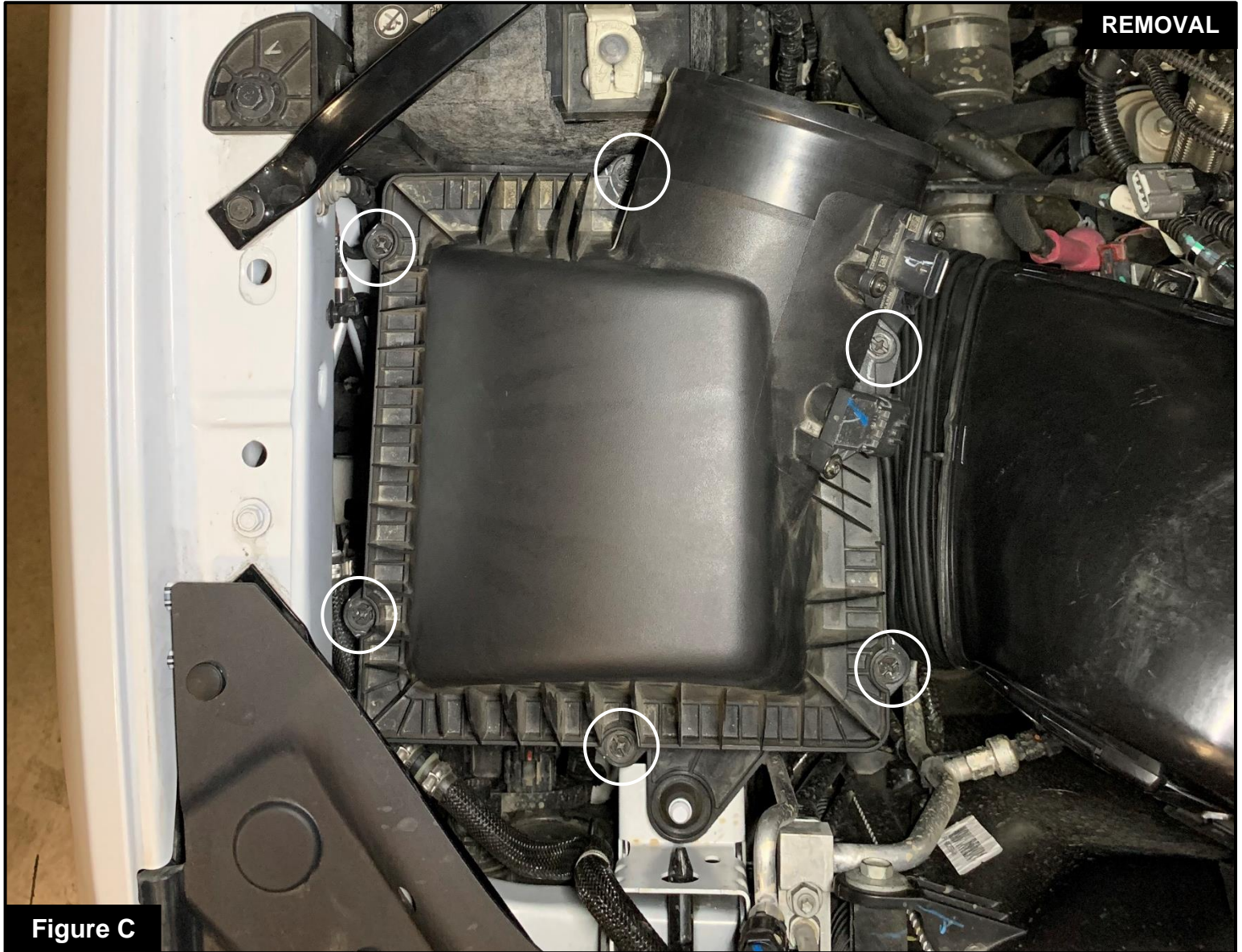


**Figure B**

**Refer to Figure B for Step 3-4**

Step 3: Untighten the clamps securing the factory tube to the housing and to the turbo.

Step 4: Disconnect the tube from the factory air box then from the turbo. Take the factory tube out of the vehicle.



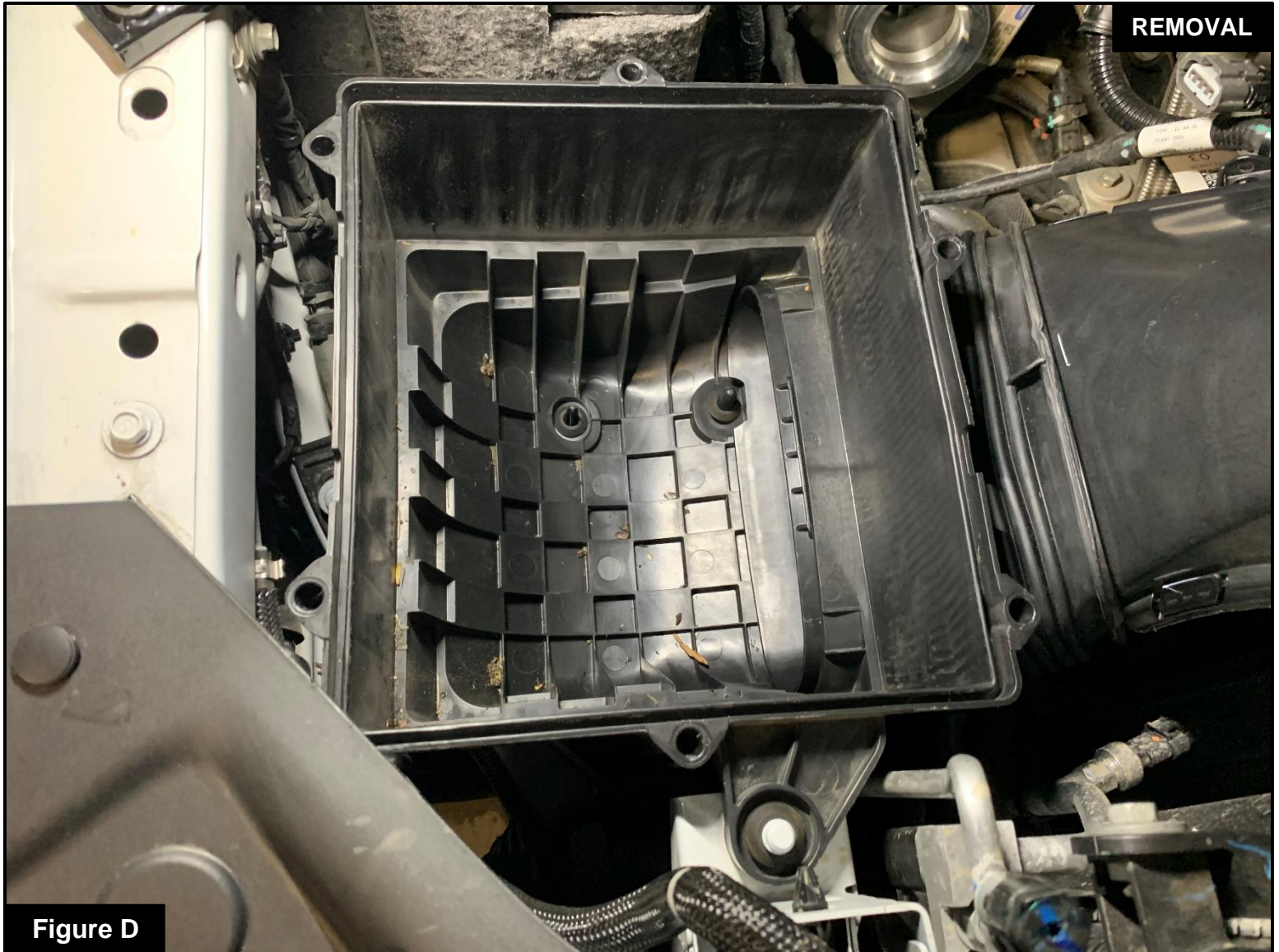
**Figure C**

**Refer to Figure C for Steps 5-7**

Step 5: Untighten the six screws securing the upper portion of the factory air box.

Step 6: Remove the upper portion of the factory air box.

Step 7: Remove the factory air filter from the factory air box.



**Refer to Figure D for Step 8-9**

Step 8: Pull on the lower portion of the factory air box to slide the grommet off the mounts.

Step 9: Disconnect the factory air scoop from the air box and remove the factory air box out of the vehicle.



Figure E

**Refer to Figure E for Steps 10**

Step 10: Transfer the three factory grommets from the factory air box to the aFe POWER housing.

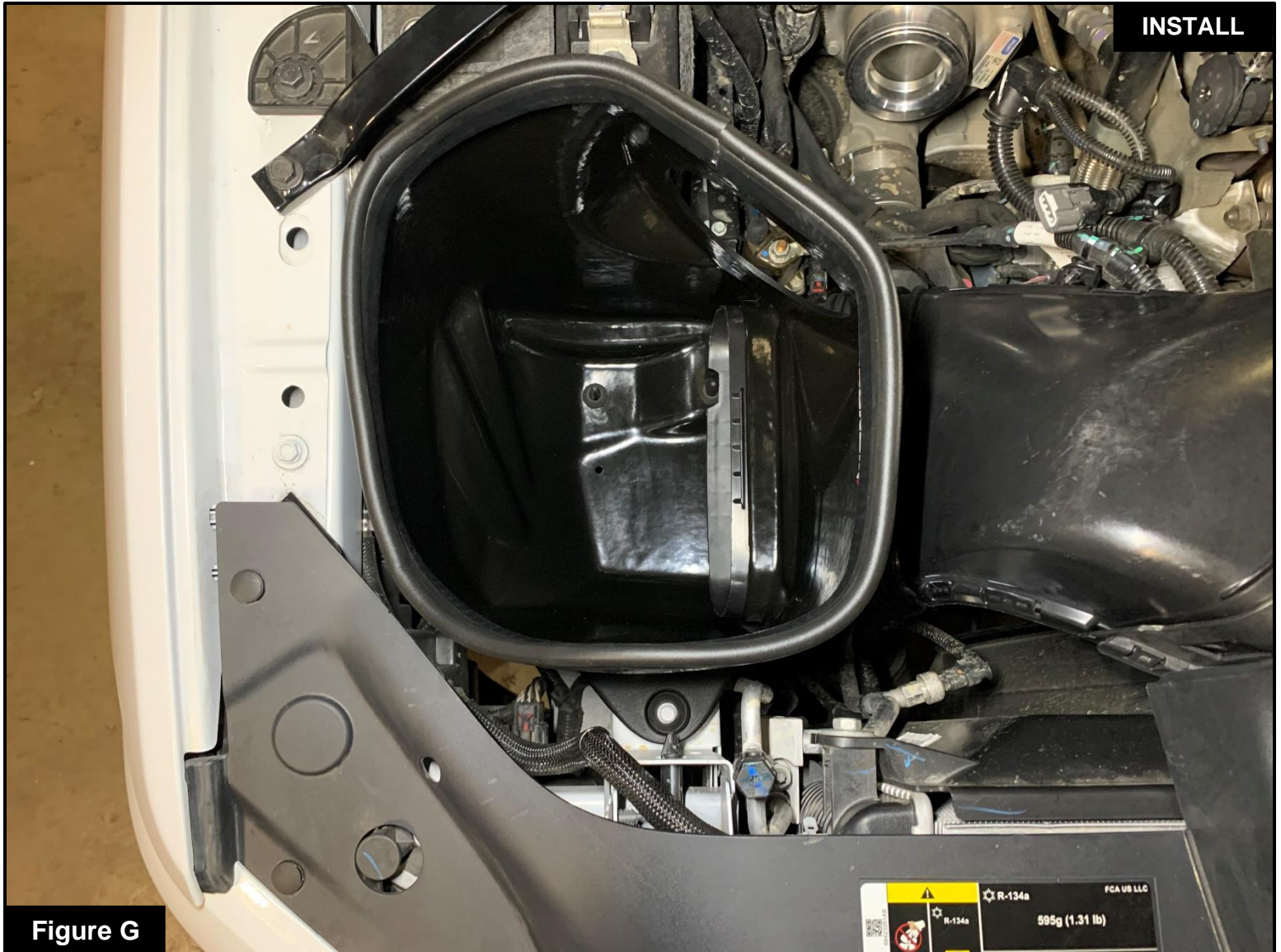




Figure F

**Refer to Figure F for Step 11**

Step 11: Install the seal trim on the top edge of the aFe POWER housing.



**Refer to Figure G for Step 12**

Step 12: Install the aFe POWER housing into the vehicle. Slide the factory scoop into the housing until it snaps in. Then press the grommets onto the mounting pegs.



**Refer to Figure H for Steps 13**

Step 13: Remove the filter clamp from the aFe POWER air filter. Slide the air filter into the aFe POWER housing from the top opening. Then guide the filter flange through the round opening in the housing and snap in the filter. Place the filter clamp on the filter flange but do not tighten at this time.

**Figure I****Refer to Figure I for Steps 14**

Step 14: Transfer the MAF sensor and Temperature sensor from the factory air box to the aFe POWER tube. Secure them using the provided Torx Screws.



Figure J

**Refer to Figure J for Steps 15-16**

Step 15: Install the coupling onto the tube. Line up the notch on the coupling with the tube.

Step 16: Install the provided clamps over the coupling. Tighten the clamp on the tube side but do not tighten the clamp on the other end yet.



Figure K

**Refer to Figure K for Steps 17-18**

Step 17: Install the tube assembly over the turbo then into the air filter.

Step 18: Align the tube correctly, then tighten all clamps.



Figure L

**Refer to Figure L for Steps 19**

Step 19: Reconnect the MAF and Temperature sensors harness.

 **Make sure that the connections are fully engaged. Usually, connectors make a snapping sound when fully engaged.**



**Figure M**

**Refer to Figure M for Steps 20**

Step 20: Verify all clamps and connections are secured. Your installation is now complete. Thank you for choosing aFe POWER!

**NOTE: Check all screws, clamps, and connectors are secure after 100-200 miles.**





**Page left blank intentionally**



Pro DRY S Air Filter



P/N: 21-91120

Pro 5R Air Filter



P/N: 24-91120

Pro Guard 7 Air Filter



P/N: 72-91120

Pre-Filter



P/N: 28-10033

Pro Dry S Restore Kit



P/N: 90-50501

Pro 5R Restore Kit



P/N: 40-33205-B

Flashlight LED



P/N: 40-10202

Mechanic Gloves (L)



P/N: 40-10149

To purchase any of the items above, view airflow charts, dyno graphs, photos, and video; please go to [aFepower.com](http://aFepower.com).



# Warranty

## General Terms:

- aFe warrants their products to be free from manufacturer's defects due to workmanship and material.
- This warranty applies only to the original purchaser of the product and is non-transferrable.
- Proof of purchase of the aFe product is required for all warranty claims.
- Warranty is valid provided aFe instructions for installation and/or cleaning were properly followed.
- Proper maintenance with regular inspections of product is required to insure warranty coverage.
- Damage due to improper installation, abuse, unauthorized repair or alteration is not warranted.
- Incidental or consequential damages or cost, including installation and removal of part, incurred due to failure of aFe product is not covered under this warranty.
- All warranty is limited to the repair and/or replacement of the aFe part. To request Return Goods Authorization ("RGA"), email RGA@afepower.com or call (951)493-7100. Upon receipt of the RGA, you must return the product to the address provided in the RGA, freight prepaid and accompanied with a dated proof of purchase and the RGA. Upon receipt of the defective product and upon verification of proof of purchase, aFe will either repair or replace the defective product within a reasonable time, not to exceed thirty days.

Product Category	P/N Prefix	Warranty duration
Direct OE Replacement Filters	10, 11, 30, 31, 71, 73	Life of the vehicle
Racing Filters	18	1 year
Universal	20, 21, 23, 24, 72, TF	2 years
Air Intake Systems	50, 51, 53, 54, 55, 56, 57, 58, 75, TR, TA, TL, TM	2 years
Exhaust Systems	49	2 years
Intercoolers & Intercooler Tubes	46-2	2 years
Intake Manifolds	46-1	2 years
Differential Cover	46-7	Life of the vehicle
Exhaust Manifolds	46	2 years
Throttle Body Spacers	46-3	2 years
Turbochargers	46-6	2 years*
Fluid Filters	44	90 days
Pre-Filters	28	2 years
Heavy Duty OE Replacement	70	2 years
PowerSports OE Replacement	81, 87	2 years
PowerSports Intake Systems	85	2 years

No other warranty expressed or implied applies nor is any person or advanced FLOW engineering authorized to assume any other warranty. Some States do not allow the exclusion or limitation of incidental or consequential damages or do not allow limitations on how long an implied warranty lasts, so the above limitations or exclusions may not apply to you. This warranty gives you specific legal rights, and you may also have other rights which vary from State to State.

\*See turbocharger warranty for more info



***advanced FLOW engineering, inc.***

252 Granite Street Corona, CA 92879  
TEL: 951.493.7100 • TECH: 951.493.7185  
E-Mail: Tech@aFepower.com

P/N: 06-81319