

advanced FLOW engineering

Cold Air Intake System

Instruction Manual P/N: 56-50056D / 56-50056R

Make: **Toyota**

Model: **GR86**

Year: **2022-2023**

Engine: **H4-2.4L**

Make: **Subaru**

Model: **BRZ**

Year: **2022-2023**

Engine: **H4-2.4L**



- Please read the entire instruction manual before proceeding.
- Ensure all components listed are present.
- For technical support please call at 951-493-7185.
- Ensure you have all necessary tools before proceeding.
- Do not attempt to work on your vehicle when the engine is hot.
- Retain factory parts for future use.

Label	Qty.	Description	Part Number
A	1	Air Filter (Pro DRY S) for 56-50056D	31-10324
A	1	Air Filter (Pro 5R) for 56-50056R	30-10324
B	1	Tube, silicone (Black)	05-5650056B1
C	1	Clamp, #052	03-50008

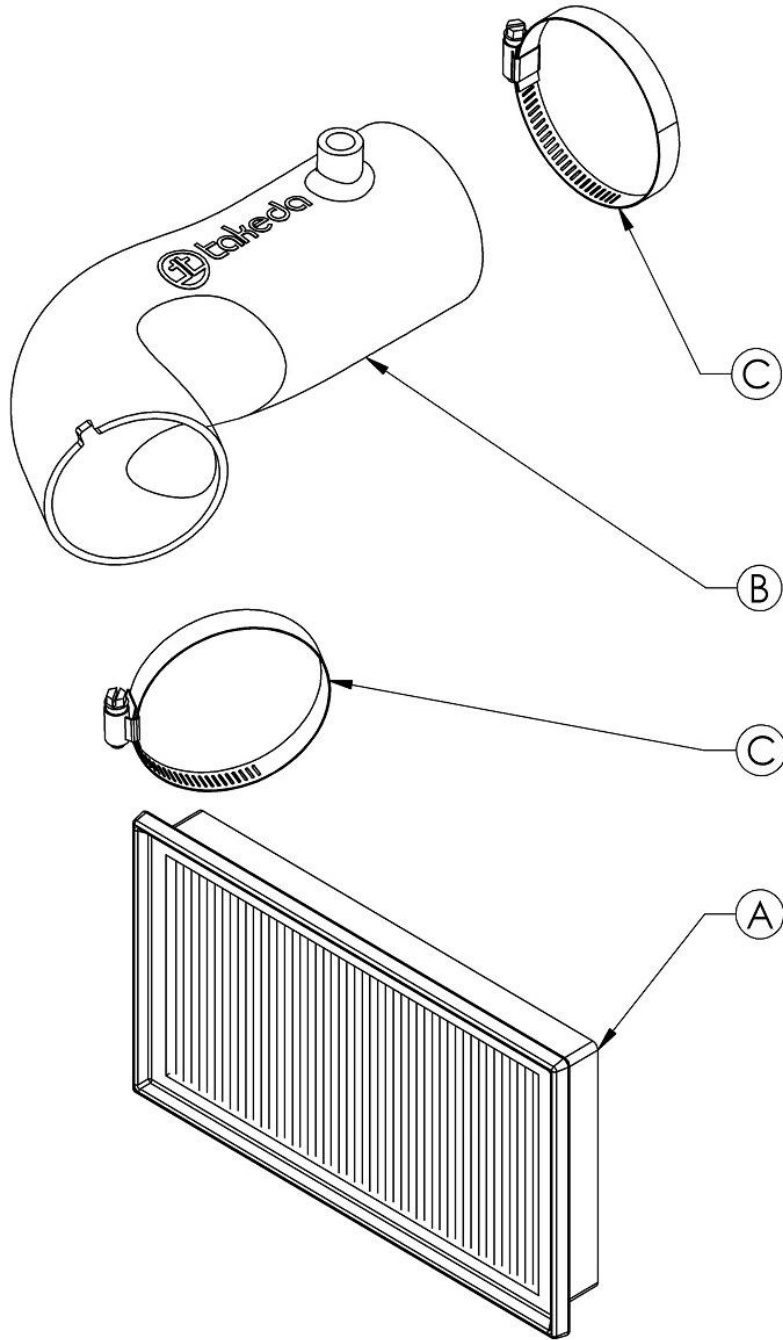
Installation will require the following tools:

Socket set, socket wrench, screwdriver, pliers.

Warranty information available at <https://afepower.com/contact#warranty>.

Emissions Disclaimer:

This product is not currently CARB exempt and is not available for purchase in California or for use on any vehicle registered with the California Department of Motor Vehicles.





Refer to Figure A for Steps 1-3

Step 1: Disconnect the crankcase (CCV) fitting from the factory intake tube. Keep the pinch clamp for later use.

Step 2: Loosen the clamps on both ends of the factory intake tube.

Step 3: Remove the factory intake tube from the vehicle.

**Figure B****Refer to Figure B for Steps 4-6**

Step 4: Detach the two (2) clips on top of the factory airbox. Then remove the factory air filter.

Step 5: Install the supplied air filter.

Step 6: Close the airbox halves together again with the two (2) clips.

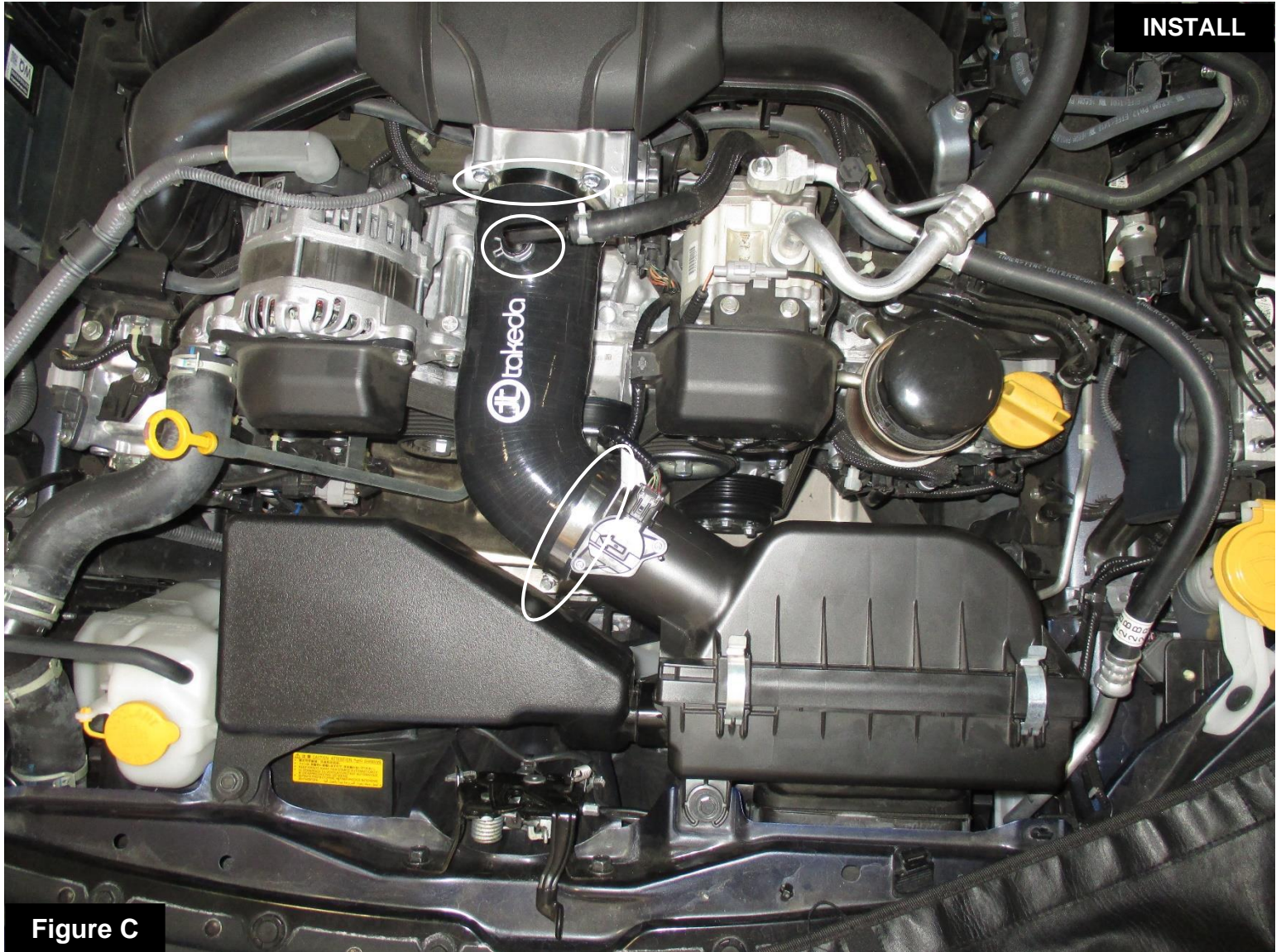


Figure C

Refer to Figure C for Steps 7-11

Step 7: Install the Takeda intake tube into the vehicle with the two supplied clamps.

Step 8: Line the Takeda intake tube between the throttle body and the factory airbox, making sure the notch on the factory airbox aligns with the Takeda intake tube.

Step 9: Tighten the two (2) supplied clamps on the Takeda intake tube.

Step 10: Insert the factory CCV fitting into the Takeda intake tube, then secure with the factory pinch clamp.

Step 11: Make sure all components and connections are secure. Your installation is now complete. Thank you for choosing Takeda!

NOTE: Check all clips, clamps, and connectors after 100-200 miles.



Page Left Blank Intentionally



advanced FLOW engineering, inc.

252 Granite Street Corona, CA 92879

<https://afepower.com/contact>