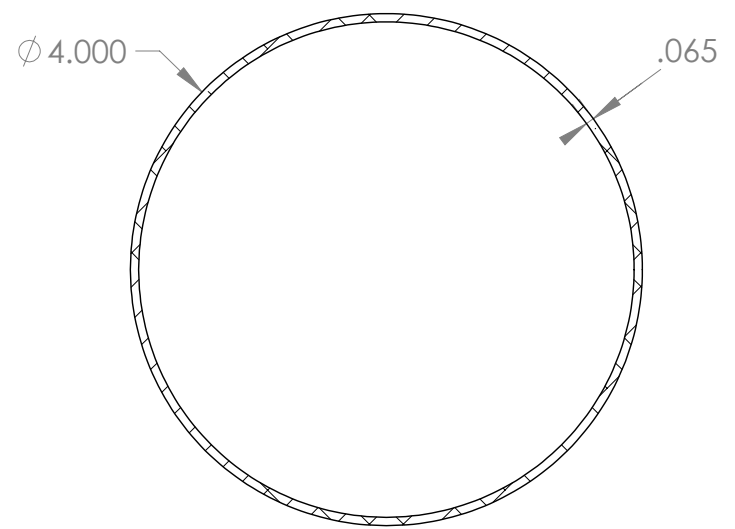
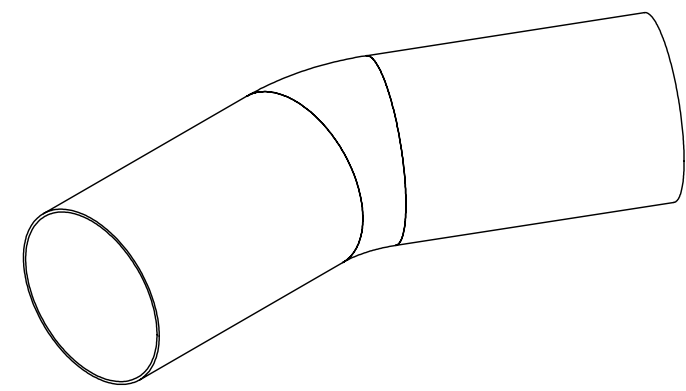
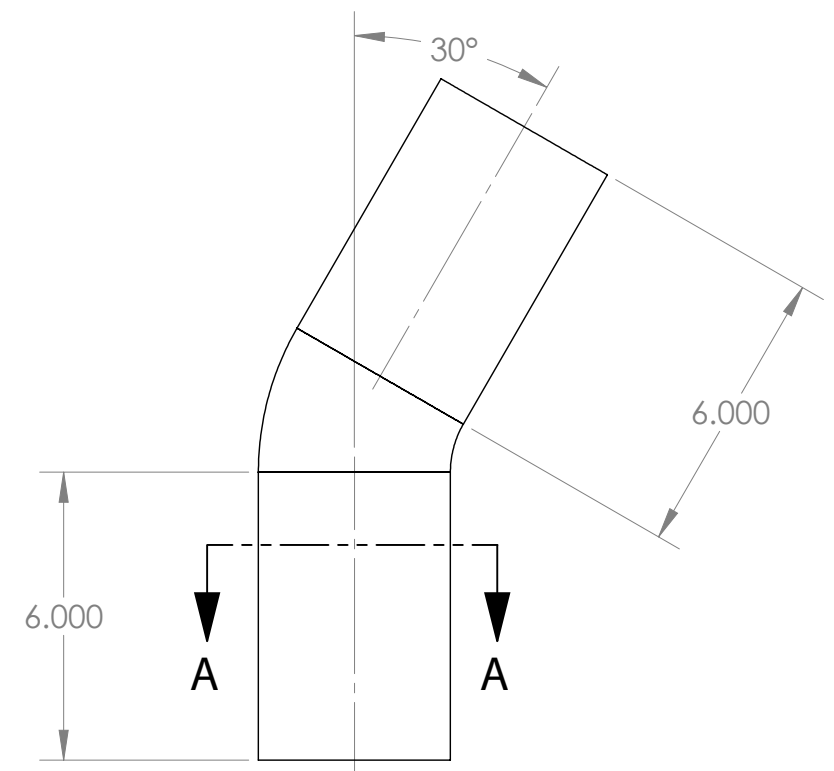


8 7 6 5 4 3 2 1

D
C
B
A



SECTION A-A
SCALE 1 : 1.5



TITLE			
RAW TUBE, 4.00 DIA. AL, 30 DEG BEND, 1D			
SIZE	DWG. NO.	REV.	
B	AEM-2-007-30	A	
SCALE	1:4	<input type="radio"/> UK <input checked="" type="radio"/> USA <input type="radio"/>	SHEET 1 OF 1

8 7 6 5 4 3 2 1