



aFe POWER Silver Bullet

Throttle Body Spacer

Part Number: 46-32003

INSTALLATION INSTRUCTIONS

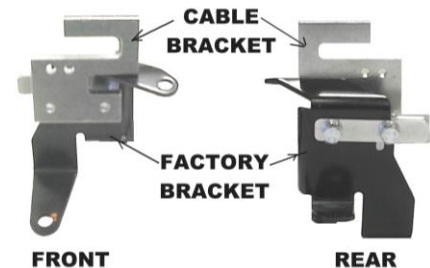
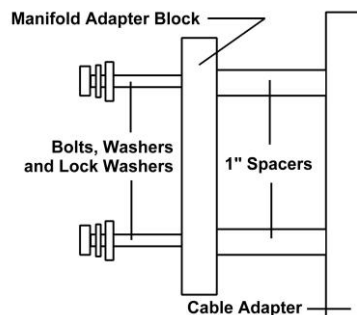
Important!

This kit includes the parts for several different installations; please verify the parts list and read all instruction steps before you begin installation.

Make	Model	Year	Engine	Make	Model	Year	Engine
Dodge	Dakota	00-09	V8-4.7L	Dodge	Durango	00-07	V8-4.7L

1. Unbolt and remove air resonator and air inlet tube. (Note: 2002-2004 models should also disconnect the Air Temperature Sensor (ATS)) Disconnect the control cables from throttle body.
2. Remove three retaining bolts holding throttle body to the intake manifold.
3. Install the Silver Bullet Spacer (O-ring side towards throttle body) in between the intake and throttle body. Use the three longer bolts provided to secure the throttle body to the intake manifold. Tighten the bolts to 10 Nm (89 lb/in).
4. Remove cables from intake manifold bracket. Assemble the manifold adapter block, bolts, flat washers, lock washers, 1-inch spacers, and cable adapter bracket like shown below. Install cables into new bracket. Slide assembly into intake manifold bracket. Attach cables back onto the throttle body.
5. Attach the extender brackets to the air resonator and secure it to the intake manifold. (Note: 2002-2004 models should install the 1/2" spacer between the resonator and extender brackets to provide adequate clearance on the A/C lines)
6. Reinstall air inlet tube between the resonator and the air cleaner assembly. (Note: 2002-2004 models should also reconnect the ATS) Make sure all the clamps and bolts are properly attached and torqued to specification. Your installation is now complete.

NOTE: This part has been exempted by the California Air Resources Board (C.A.R.B.) and issued an Executive Order (E.O.). If part does not come with C.A.R.B. E.O. sticker already placed on device, it is necessary to place the sticker on or near the device on a smooth, clean surface. The C.A.R.B. E.O. sticker is required to pass the smog test inspections in the state of California.



Parts List

- 1 Silver Bullet Spacer
- 3 6mm x 60mm bolts
- 5 6mm flat washers
- 1 Cable adapter bracket
- 1 Manifold adapter block
- 2 6mm x 1-inch spacers
- 2 6mm extender brackets
- 2 6mm x 1/2" spacers
- 2 6mm x 16mm bolts
- 2 6mm x 40mm bolts
- 2 6mm lock washers
- 2 6mm countersunk bolts
- 1 O-Ring (already installed on spacer)

advanced FLOW engineering, inc.

252 Granite Street, Corona, CA 92879

Main Line: 951-493-7100 Tech Support: 951-493-7185

www.aFePower.com

Last Updated: 06/11/20
CDS