



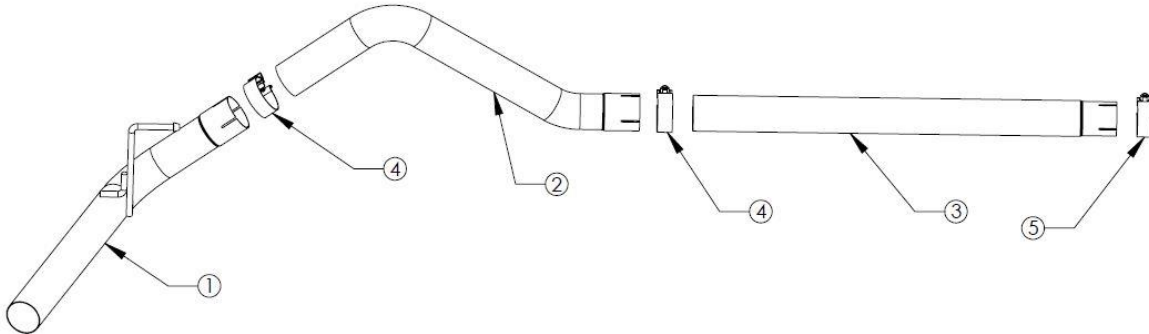
INSTALLATION INSTRUCTIONS

Axle-Back Exhaust

49-43113

MAKE: Ford
MODEL: Transit-150/250/350/350 HD
YEAR: 2015-2020
ENGINE: V6-3.5L (tt)

Fits 130" and 148" wheelbase models (Van Only)



Item	Description	Part Number	Quantity
1	Tailpipe	05-144708	1
2	Over-Axle	05-144707	1
3	Mid-Pipe	05-144706	1
4	Clamp, Band: 3" SS	05-41055	2
5	Clamp, Band: 2-3/4" SS	05-41160	1

aFe POWER recommends professional installation on this product. Thoroughly inspect the aFe POWER exhaust system to make sure there is no damage from shipping (if damage is noted, immediately contact aFe POWER customer service). Allow time for your vehicle to cool down prior to installation. When working on your vehicle proceed with caution. Wear protective safety equipment; eye goggles and gloves to ensure a safe installation.

Install band clamps to proper torque specifications of 40-45 ft-lb.





INSTALLATION INSTRUCTIONS

Axle-Back Exhaust

49-43113

MAKE: Ford
MODEL: Transit-150/250/350/350 HD
YEAR: 2015-2020
ENGINE: V6-3.5L (tt)

Fits 130" and 148" wheelbase models (Van Only)

1. **(Read instructions prior to installation.)** It is recommended to not fully tighten the exhaust until it has been fully installed. Leave loose for adjustability.
2. Secure vehicle on jack stands (refer to your manual for specified jack stand positions).
3. For faster installation, spread out the parts of the exhaust alongside your vehicle as shown in the diagram above.
4. Secure the stock exhaust with jack/stands.
5. Loosen the 15mm nut on the band clamp.
6. Remove OE exhaust hangers from factory isolation mounts.
7. Remove the OE axle-back from the vehicle.
8. Install the aFe POWER Mid-Pipe using the supplied 3" band clamp.
Note: Shorter wheel base will require trimming the Mid-Pipe.
9. Install the aFe POWER Over-Axle using the supplied 3" band clamp.
10. Install hanger on Tailpipe to the factory isolation mount.
11. Adjust Axle-back for desired fit, once you are happy with the fitment you may now tighten down the 3" band clamp.
12. Ensure that all the components of the aFe POWER exhaust system are aligned and are at a safe clearance from all wires, hoses, brake lines, body parts, and tires.
13. Start from the front of the aFe exhaust system and evenly tighten all clamps and fasteners.
14. Start the vehicle and check for any leaks. If any leaks are found, determine cause and repair as necessary.
15. Remove vehicle from jacks stands.
16. It is recommended to re-tighten all clamps and hardware after 50-100 miles.