



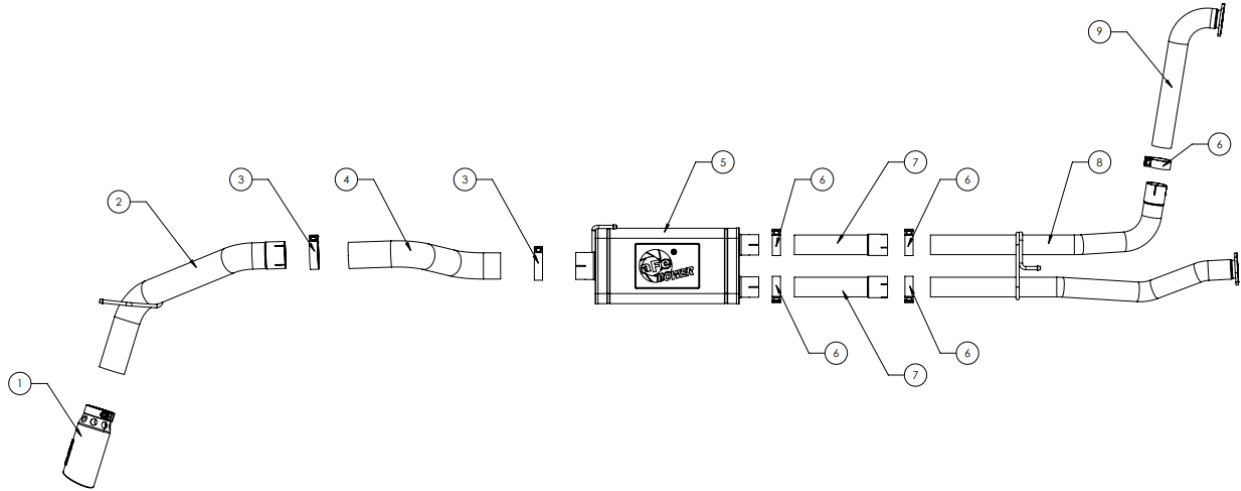
# INSTALLATION INSTRUCTIONS

Cat-Back Exhaust

MAKE: Nissan  
 MODEL: Titan XD  
 YEAR: 2016-2019  
 ENGINE: V8-5.6L

49-46135-B  
 49-46135-P

**NOTE: ONLY FITS CREW CAB/6'6" BED (151.6" WHEELBASE)**



Item	Description	Part Number	Quantity
1	Exhaust Tip	49T40501-B121	1
		49T40501-P121	1
2	Tailpipe	05-144746	1
3	4" Band Clamp	05-41172	2
4	Over-Axle	05-144745	1
5	Muffler Assembly	05-144744	1
6	3" Band Clamp	05-41055	5
7	Extension Pipe	05-144743	2
8	Passenger's Side Front Pipe Assembly	05-144742	1
9	Driver's Side Front Pipe	05-144741	1

aFe POWER recommends professional installation on this product. Thoroughly inspect the aFe POWER exhaust system to make sure there is no damage from shipping (if damage is noted, immediately contact aFe POWER customer service). Allow time for your vehicle to cool down prior to installation. When working on your vehicle proceed with caution. Wear protective safety equipment; eye goggles and gloves to ensure a safe installation.

Install band clamps to proper torque specifications of 40-45 ft-lb.





## INSTALLATION INSTRUCTIONS

**MAKE:** Nissan  
**MODEL:** Titan XD  
**YEAR:** 2016-2019  
**ENGINE:** V8-5.6L

**Cat-Back Exhaust**

49-46135-B

49-46135-P

**NOTE: ONLY FITS CREW CAB/6'6" BED (151.6" WHEELBASE)**

---

1. **(Read instructions prior to installation.)** It is recommended to not fully tighten the exhaust until it has been fully installed. Leave loose for adjustability.
2. Secure vehicle on jack stands (refer to your manual for specified jack stand positions).
3. For faster installation, spread out the parts of the exhaust alongside your vehicle as shown in the diagram above.
4. Secure the stock exhaust with jack/stands.
5. Remove the stock exhaust up to the catalytic converters.
6. Install the aFe POWER driver's side front pipe into the passenger's side front pipe assembly using the provided 3" band clamp.
7. Install the front pipe assembly onto the OE catalytic converters using OE hardware and gaskets. Make sure to push the hanger into the OE isolation mount as you slide the exhaust together.
8. Install both Extension Pipes onto the Front Pipes using provided (x2) 3" band clamps.
9. Install the muffler assembly onto Extension Pipes using the provided (x2) 3" band clamps. Push the hanger rod into the OE isolation mount.
10. Install the Over-Axle pipe using the provided 4" band clamp.
11. Install the Tail-Pipe and Exhaust Tip using the provided 4" band clamps and OE isolation mount.
12. Ensure that all the components of the aFe POWER exhaust system are aligned and are at a safe clearance from all wires, hoses, brake lines, body parts, and tires.
13. Start from the front of the aFe POWER exhaust system and evenly tighten all clamps and fasteners.
14. Start the vehicle and check for any leaks. If any leaks are found, determine cause and repair as necessary.
15. Remove vehicle from jacks stands.
16. It is recommended to re-tighten all clamps and hardware after 50-100 miles.