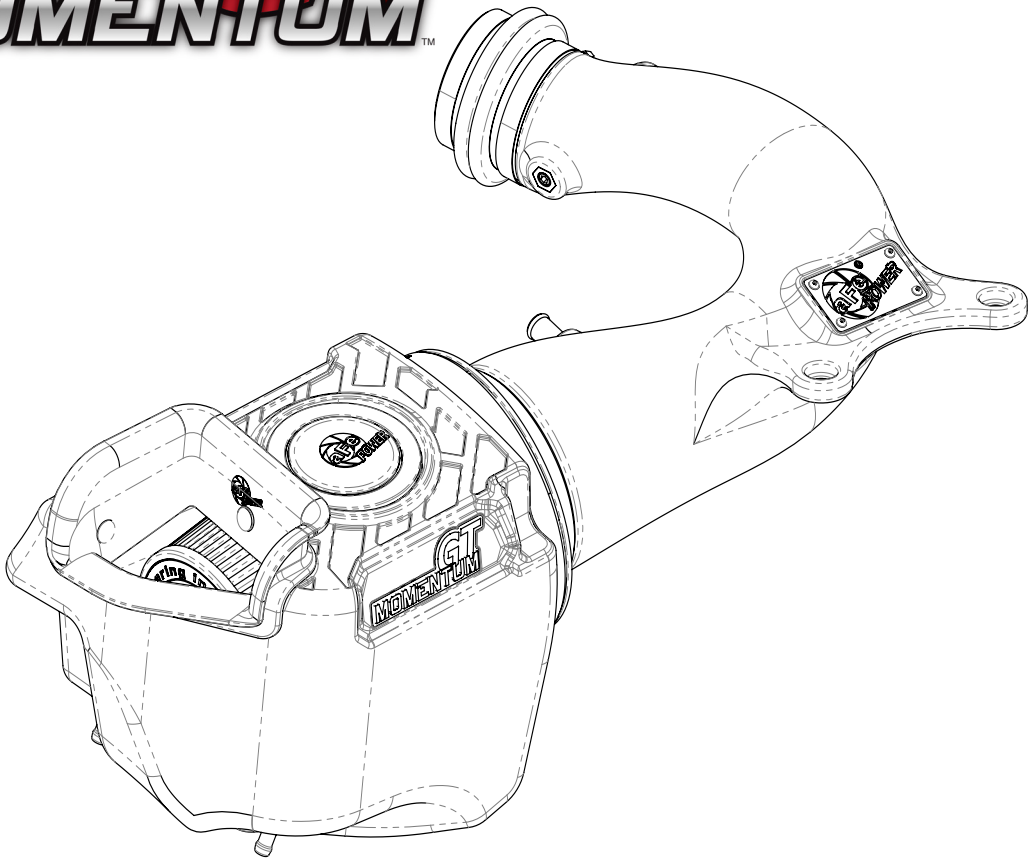


**GT**  
**MOMENTUM**™



**advanced FLOW engineering** Momentum Air Intake

**Instruction Manual** P/N: 50-70001D / 50-70001R / 50-70001G

Make: **Jeep** Model: **Wrangler (JK)** Year: **2012-2018** Engine: **V6-3.6L w/ Sprintex Superchargers**



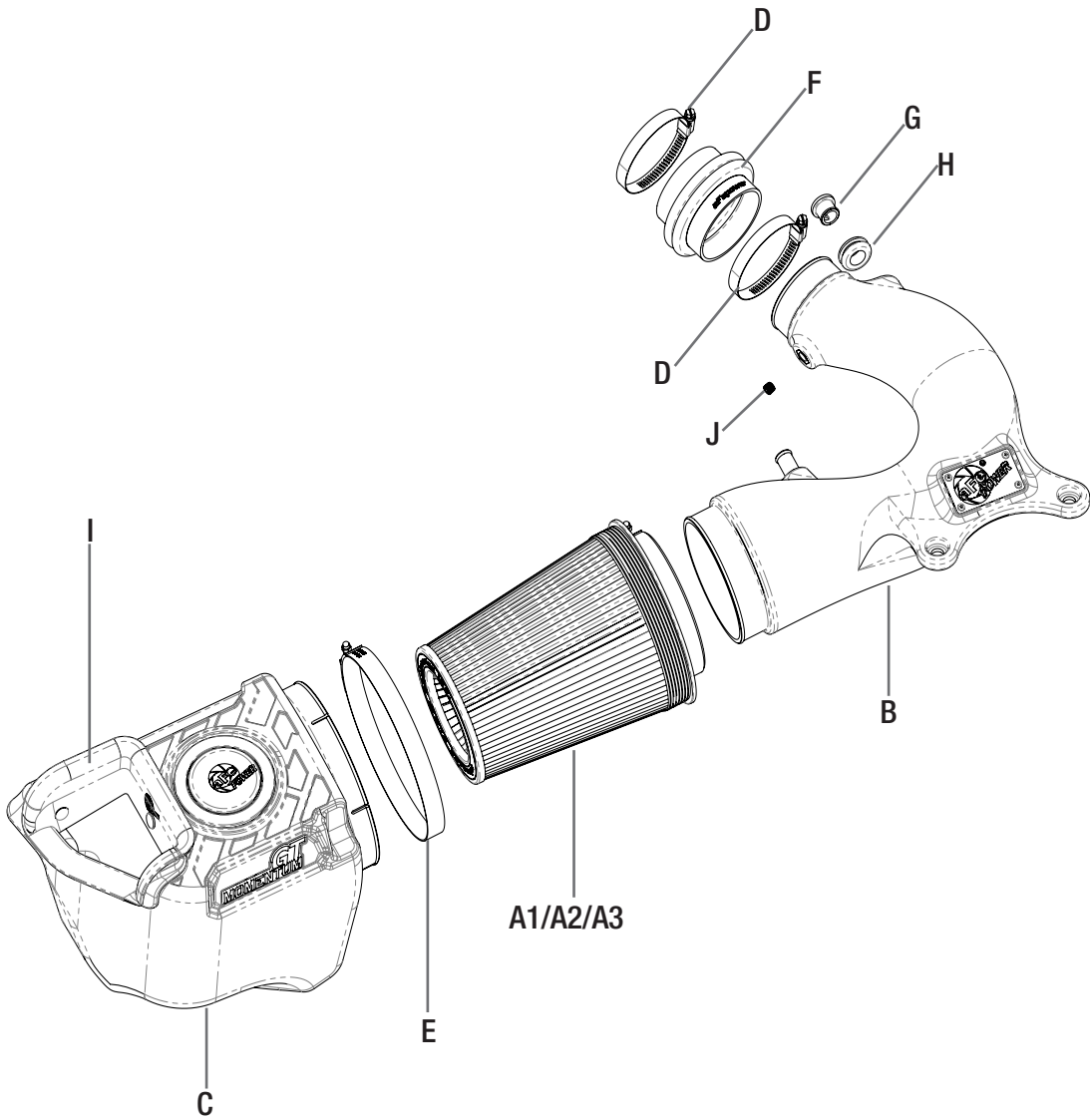
- Please read the entire instruction manual before proceeding.
- Ensure all components listed are present.
- If you are missing any of the components, call customer support at 951-493-7100.
- Ensure you have all necessary tools before proceeding.
- Do not attempt to work on your vehicle when the engine is hot.
- Disconnect the negative battery terminal before proceeding.
- Retain factory parts for future use.

Label	Qty.	Description	Part Number
A1	1	Air Filter (Pro DRY S)	21-91125
A2	1	Air Filter (Pro 5R)	24-91125
A3	1	Air Filter (Pro GUARD 7)	72-91125
B	1	Tube	50-5070001B1
C	1	Housing	05-76212B2
D	2	Clamp, T-bolt, (3-5/16-3-5/8)	03-50292
E	1	Clamp, T-bolt, (7-7-3/8)	03-50290
F	1	Coupler, Silicone Bellows	05-01400
G	1	Fitting, Air Temp Sensor	05-01454
H	1	Grommet, Rubber	03-50167
I	1	Inlet, Silicone	05-01479
J	1	Plug, Hex Hd Socket: 1/8"	03-50029

**Installation will require the following tool(s):**

8mm nut driver, 10mm nut driver or deep socket, 11mm nut driver or deep socket and 3/16" Allen key.

Note: Legal in California for use on race vehicles only. The use of this device on vehicles used on public streets or highways is strictly prohibited in California and others states that have adopted California emission regulations.



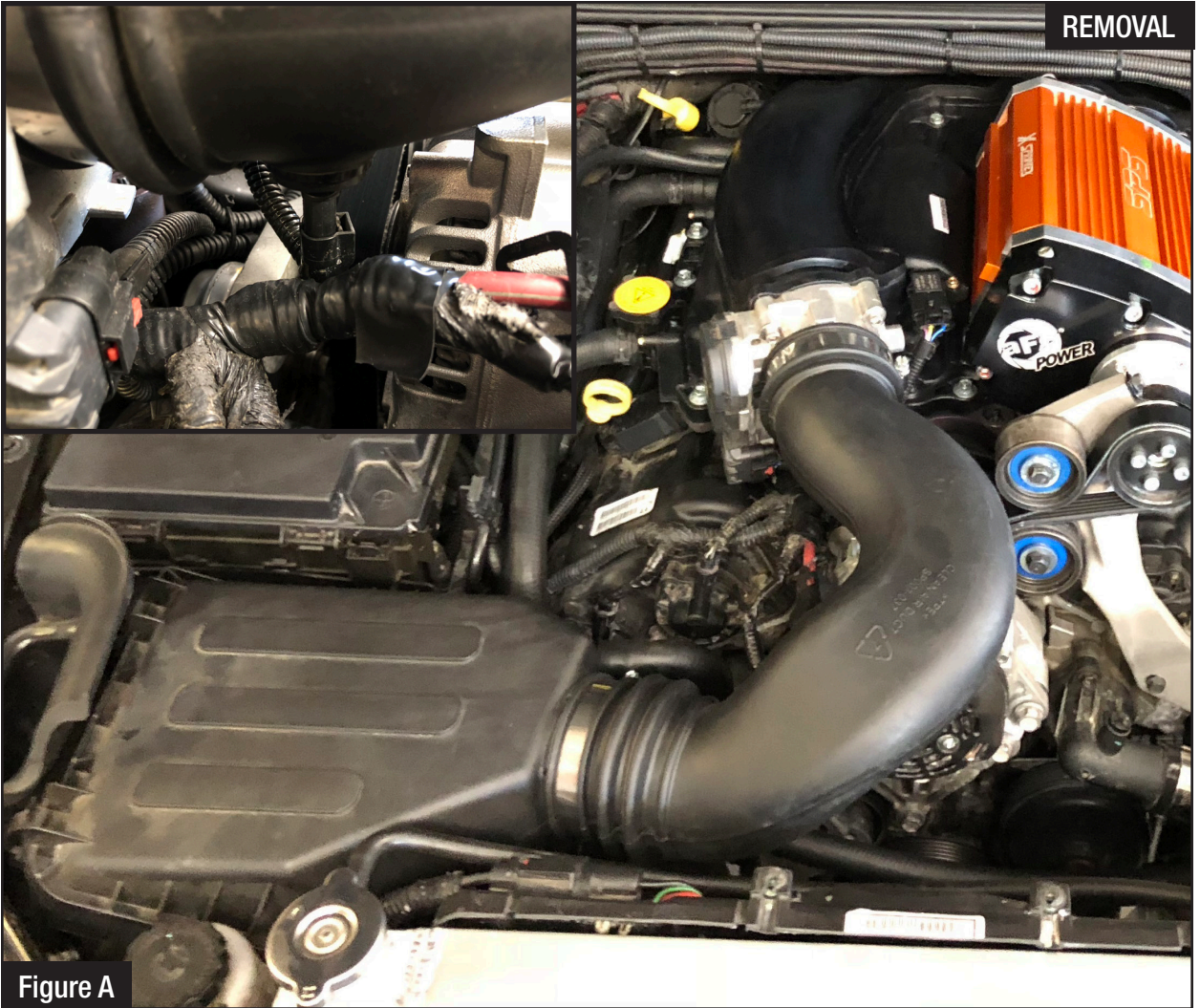


Figure A

**Refer to Figure A for Steps 1-3.**

Step 1: Loosen both clamps on the Sprintex intake tube.

Step 2: Disconnect the Temperature sensor located on the bottom of the intake tube.

Step 3: Remove the intake tube from the vehicle





REMOVAL

Figure B

**Refer to Figure B for Steps 4-6.**

Step 4: Disconnect the CCV hose from the top of the OE airbox.

Step 5: Remove the OE housing from the vehicle by lifting straight upward on the box.

Step 6: Remove the two clamps from the radiator shroud that are securing the coolant overflow line.



Figure C

**Refer to Figure C for Steps 7-9.**

Step 7: Remove the temp sensor from the Sprintex intake tube.

Step 8: Install the grommet, temp sensor adaptor, and temp sensor into the new aFe intake as shown.

Step 9: Use Teflon tape to wrap the 1/8 NPT plug. Use this plug to seal the port on the side of the intake tube.

**NOTE: The 1/8 NPT port on the side of the tube can be utilized for water/methanol injection if desired. (Sold separately and not available from aFe POWER)**





Figure D

**Refer to Figure D for Step 10.**

Step 10: Locate the rubber grommets and sleeves from the OE intake tube, and install the two grommets into the aFe intake tube from the bottom side.



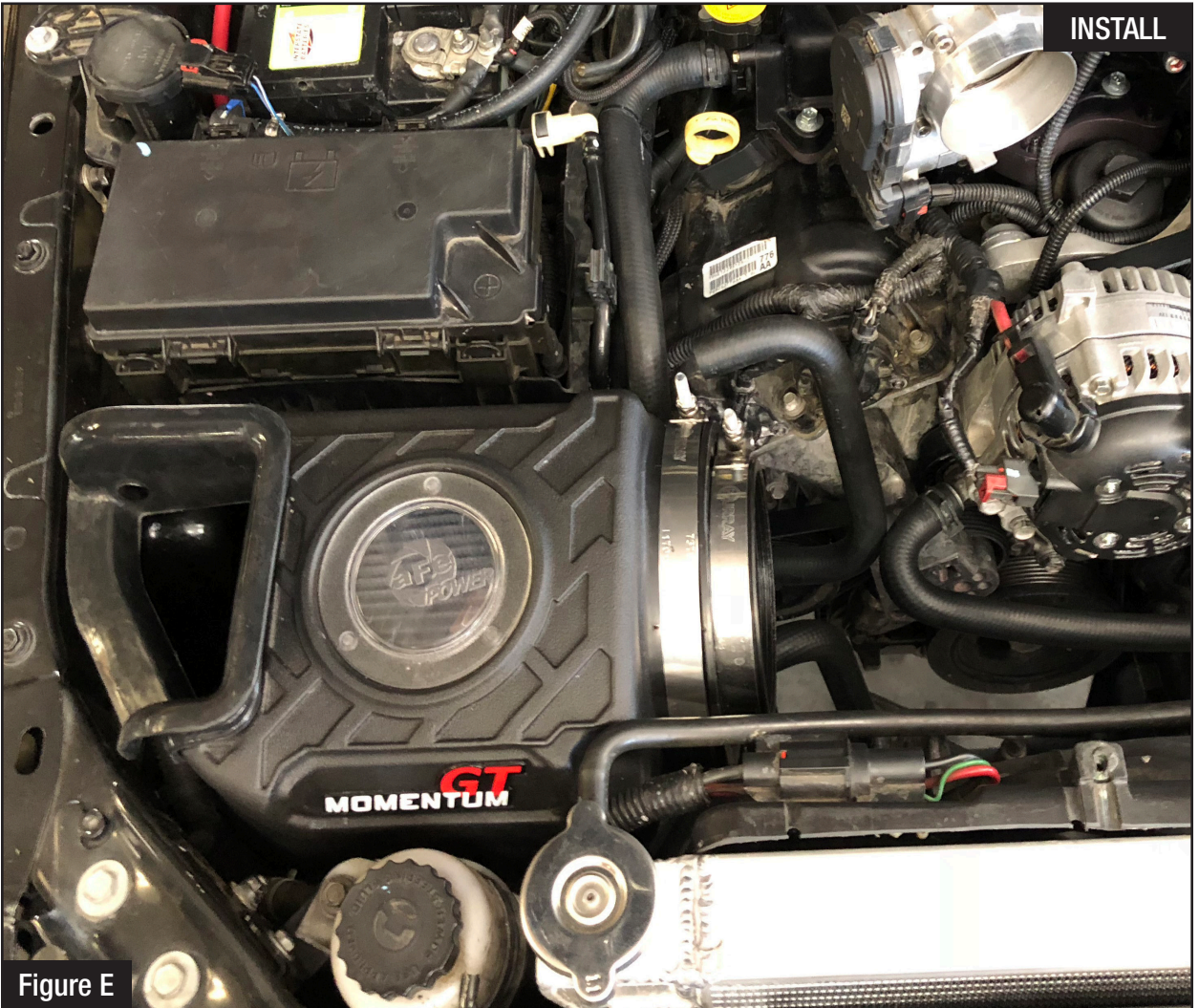


Figure E

**Refer to Figure E for Steps 11-13**

Step 11: Install the aFe air filter into the intake housing.

Step 12: Place the large clamp over the housing, but do not tighten the clamps at this time.

Step 13: Verify that all three factory rubber grommets are in place on the battery tray, then install the aFe housing into the vehicle.



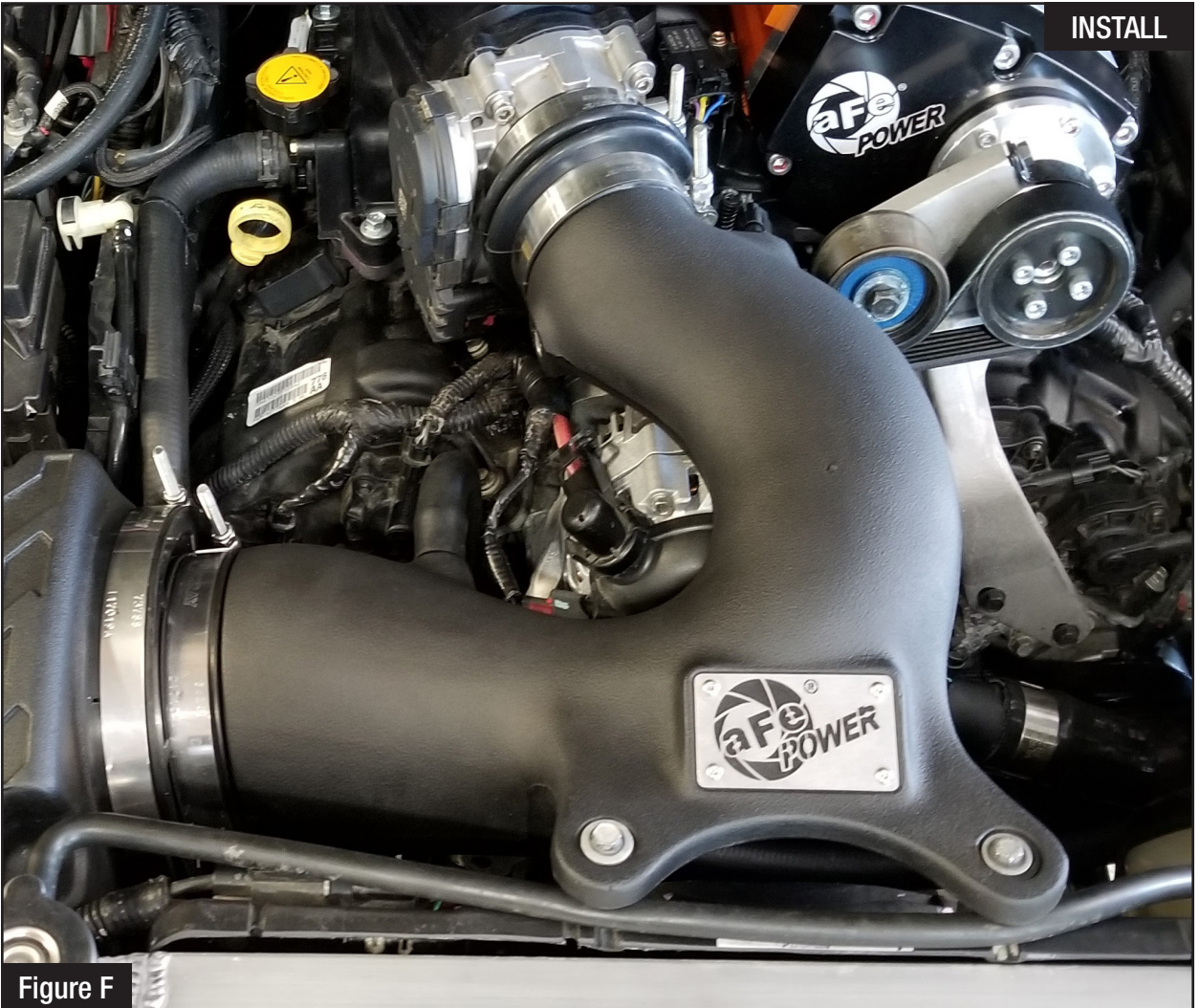


Figure F

**Refer to Figure F for Steps 14-19.**

Step 14: Place the coupling and the two smaller clamps over the throttle body.

Step 15: Install the new aFe intake tube into the vehicle by inserting the large end of the tube into the filter and then aligning the smaller end of the tube with the coupler at the throttle body.

Step 16: Route the coolant overflow line on top of the fan shroud so that it does not hang down near the fan.

Step 17: Use the two OE screws from the intake to secure the intake tube to the fan shroud. The coolant overflow line can be tucked just underneath the two mounting tabs on the tube to secure it in place.

Step 18: Reconnect the temp sensor harness to the sensor on the intake tube.

Step 19: Connect the CCV hose to the port on the side of the aFe intake tube.



Figure G

**Refer to Figure G for Step 20.**

Step 20: Tighten all clamps at this time. Your installation is now complete.

**NOTE: Check all bolts, clamps, and hose connections after 100-200 miles.**



Page left blank intentionally



Page left blank intentionally



Page left blank intentionally



Pro DRY S Air Filter



P/N: 21-91125

Pro 5R Air Filter



P/N: 24-91125

Pro GUARD 7 Air Filter



P/N: 72-91125

Pro DRY S Restore Kit



P/N: 90-59999

Blue Squeeze Restore Kit



P/N: 90-50501

Gold Squeeze Restore Kit



P/N: 90-50500

Exhaust Y-Pipe + Loop



P/N: 48-46207-PK

Exhaust "Hi-Tuck" System



P/N: 49-48057-B (Blk. Tip)  
49-48057-P (Pol. Tip)

Axle-Back Exhaust System



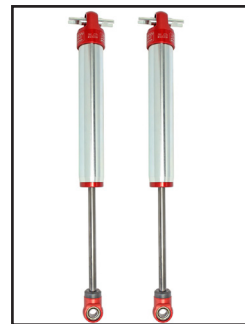
P/N: 49-48061-B (Blk. Tips)  
49-48061-P (Pol. Tips)

Sway-A-Way Shocks



P/N: 402-0056-11 (Front)

Sway-A-Way Shocks



P/N: 402-0052-02 (Rears)

Radiator



P/N: 46-50012-B

To purchase any of the items above, view airflow charts, dyno graphs, photos, and video; please go to [aFepower.com](http://aFepower.com).



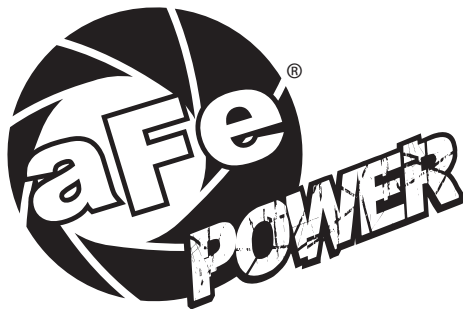
# Warranty

## General Terms:

- aFe warrants their products to be free from manufacturer's defects due to workmanship and material.
- This warranty applies only to the original purchaser of the product and is nontransferable.
- Proof of purchase of the aFe product is required for all warranty claims.
- Warranty is valid provided aFe instructions for installation and/or cleaning were properly followed.
- Proper maintenance with regular inspections of product is required to insure warranty coverage.
- Damage due to improper installation, abuse, unauthorized repair or alteration is not warranted.
- Incidental or consequential damages or cost, including installation and removal of part, incurred due to failure of aFe product is not covered under this warranty.
- All warranty is limited to the repair and/or replacement of the aFe part. To request Return Goods Authorization ("RGA"), email [RGA@afepower.com](mailto:RGA@afepower.com) or call (951)493-7100. Upon receipt of the RGA, you must return the product to the address provided in the RGA, freight prepaid and accompanied with a dated proof of purchase and the RGA. Upon receipt of the defective product and upon verification of proof of purchase, aFe will either repair or replace the defective product within a reasonable time, not to exceed thirty days.

Product Category	P/N Prefix	Warranty duration
Direct OE Replacement Filters	10, 11, 30, 31, 71, 73	Life of the vehicle
Racing Filters	18	1 year
Universal	21, 24, 72	2 years
Air Intake Systems	50, 51, 54, 55, 75	2 years
Exhaust Systems	49	2 years
Intercoolers & Intercooler Tubes	46-2	2 years
Intake Manifolds	46-1	2 years
Differential Cover	46-7	Life of the vehicle
Exhaust Manifolds	46	2 years
Throttle Body Spacers	46-3	2 years
Fluid Filters	44	90 days
Pre-Filters	28	2 years
Heavy Duty OE Replacement	70	2 years
PowerSports OE Replacement	81, 87	2 years
PowerSports Intake Systems	85	2 years

No other warranty expressed or implied applies nor is any person or advanced FLOW engineering authorized to assume any other warranty. Some States do not allow the exclusion or limitation of incidental or consequential damages or do not allow limitations on how long an implied warranty lasts, so the above limitations or exclusions may not apply to you. This warranty gives you specific legal rights, and you may also have other rights which vary from State to State.



**advanced FLOW engineering, inc.**  
252 Granite Street Corona, CA 92879  
TEL: 951.493.7100 • TECH: 951.493.7134  
E-Mail: [Tech@aFepower.com](mailto:Tech@aFepower.com)