

E4-WM5-Y614A00 MOUNTING INSTRUCTION



B8 6112/8112 Heavy Load Spring Kit- 650 lb/in Spring Rate

IMPORTANT! READ THIS FIRST!

Installation of shock absorbers requires special tools and expert knowledge. Accordingly, installation of all BILSTEIN products must be performed by a qualified suspension specialist.

When replacing other brands, BILSTEIN shock absorbers should always be installed as a set. All BILSTEIN products must only be used for the specific, intended application as indicated in the application guide. **Any use of any BILSTEIN product other than for its intended use may result in serious bodily injury or death.**

Always use a chassis hoist for the installation of BILSTEIN products and make certain that the raised vehicle is securely attached to the hoist and/or supported to prevent the vehicle from slipping, falling, or moving during the installation process.

If you choose to install any BILSTEIN product without the necessary special tools, expertise or chassis hoist, you may subject yourself to the risk of serious bodily injury or death. If you elect not to use a chassis hoist, at least make sure the vehicle is on level ground, that all tires on the ground during installation are blocked to prevent movement, that at least two tires are on the ground at all times, and that adequately secured safety stands (jack stands) are used to support the chassis. **NEVER** get under the vehicle until you have checked to make sure all of these steps are performed.

BILSTEIN suspension products are gas-filled and are highly pressurized.

- Never place any BILSTEIN product in a vise or use a clamp on any BILSTEIN product.
- Never apply heat near any BILSTEIN product.
- Never attempt to open or repair any BILSTEIN product, in order to prevent **serious bodily injury or death.**

Any attempt to misuse, misapply, modify, or tamper with any BILSTEIN suspension product voids any warranty and **may result in serious bodily injury or death.**

While installing any BILSTEIN product:

- Do not use impact tools for loosening or tightening fasteners, because this may destroy the screw threads.
- Self-locking fasteners must only be used **once!**
- Reuse original equipment components only if they are in good condition, otherwise replace them with new components.
- Never remove the slight film of oil on the piston rod and seal.
- All mounting fasteners for shocks and struts must be securely tightened before the vehicle is operated.

After installing any BILSTEIN product:

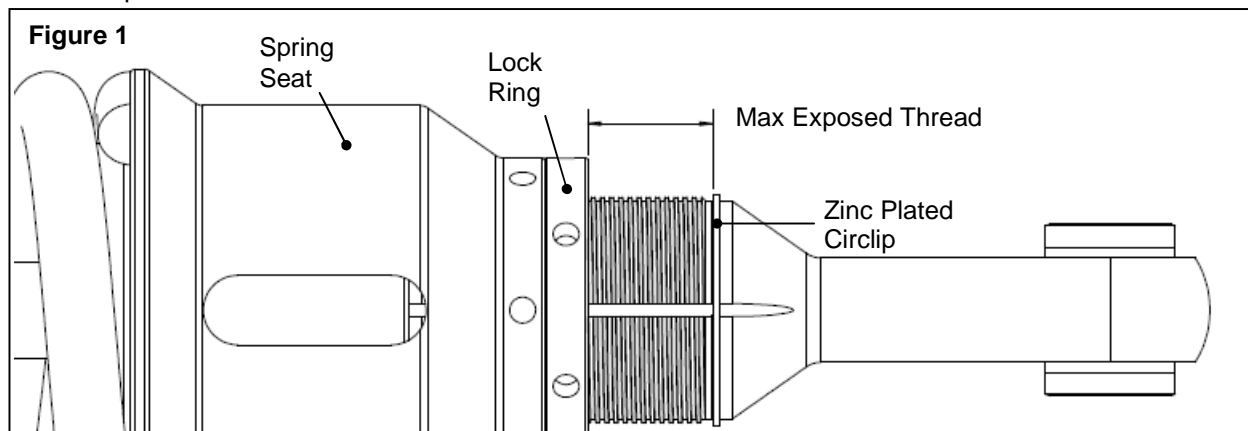
- The suspension caster and camber must be checked and/or adjusted to comply with the vehicle manufacturer's specifications.
- The (load dependent) brake compensator and the anti-lock brake system must be checked and/or reset to comply with the vehicle manufacturer's specifications.
- The headlight aim must be checked and adjusted.

E4-WM5-Y614A00 MOUNTING INSTRUCTION



This B8 6112/8112 Heavy Load kit is intended for vehicles with 100-150lbs additional weight on the front bumper over stock. If installing on an original B8 6112 kit, refer to the original mounting instruction. Note that lift height will increase 0.5" with this spring kit on both B8 6112 and 8112 Kits. If installing on a B8 8112 see the instructions below and note that this mounting instruction is an addendum to E4-WM5-Y542A00. All steps listed in E4-WM5-Y542A00 still apply.

1. With the B8 8112 shock module off the vehicle, remove the zinc plated circlip at the base of the threads with appropriate tools being careful to not scratch the anodized aluminum.
2. Break the lock ring loose with the spanner wrenches that were supplied in the original B8 8112 kit.
3. Using an appropriate spring compressor, compress the spring until the shock can be rotated freely by hand.
4. Note the clocking of the lower mount relative to the studs on the upper mount (important for reassembly).
5. Spin the spring seat off of the threaded rod end. Then, slowly release the spring compressor and remove the shock and spring assembly.
6. Place the new supplied spring onto the shock and put the assembly into the spring compressor. Compress the spring enough to safely assemble the spring seat back onto the rod end.
7. Thread the spring seat and lock ring that were removed previously back onto the rod end.
8. Set desired lift height. This kit will yield another 0.5" of lift height over the standard B8 8112 kit with the same exposed thread dimension. Refer to original instruction E4-WM5-Y542A00 for max exposed thread dimension.



9. Once the desired lift height is set, position the elongated hole in the spring seat so it will face inboard once installed on the vehicle. Then, tighten the lock ring against the spring seat using the spanner wrenches. **Torque the lock ring to spring seat to approx. 37 ft-lb (50 Nm).**
10. Rotate the lower shock mount so it is aligned with the upper mount studs as noted in step 4. Then slowly release the spring compressor.
11. Reinstall the zinc plated circlip with appropriate tools.
12. Continue with the remaining installation steps per the original mounting instruction E4-WM5-Y542A00. Verify the shock length at ride height that is depicted on page 5 of the original mounting instruction is less than 19 11/16". This is to ensure there is at least 2" of droop travel from static ride height and so the stiffer rebound zone is not being engaged at ride height.