

2019+ Hyundai Elantra GT N-Line/I30 N Mud Flap Installation Instructions

View instructions and photos online www.rallyarmor.com WILL NOT FIT STANDARD ELANTRA

CARE AFTER INSTALLATION Once installed, the vehicle owner is responsible for the condition of the mud flaps and all costs associated with replacing damaged or lost parts. Warranty covers manufacturer defect on new, never installed parts.

⚠ Watch for blind spots when parking ⚠ Avoid contact with curbs, bumps and objects that can compress the flaps with excessive force. Be sure to check wheel clearances, especially on vehicles equipped with aftermarket wheels and suspensions.

QUESTION ON INSTALLATION? CONTACT US ONLINE www.rallyarmor.com/support

NEED TO PURCHASE REPLACEMENT PARTS? SEND RECEIPT OR PHOTO OF RALLY ARMOR LOGO ON FLAPS TO US www.rallyarmor.com/support

IMPORTANT NOTES

INSTALLATION KIT CONTENTS


ALWAYS TEST COMPATIBILITY WITH YOUR SPECIFIC WHEEL, TIRE AND SUSPENSION COMBINATION



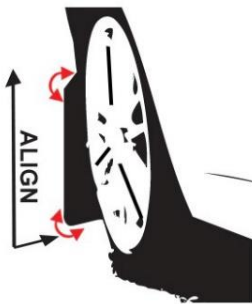

ALWAYS USE CAUTION DURING PARKING/REVERSAL SCENARIOS




CLEANING INSTRUCTIONS: USE WATER AND SOFT CLOTH TO CLEAN FLAPS. AVOID SOLVENT BASED CLEANERS




ALWAYS ALIGN YOUR MUD FLAP PERPENDICULAR TO GROUND PRIOR TO TIGHTENING



QUANTITY	PART	ITEM ID
4	LOCK NUT	SSLNUT
4	SCREW	1SS
8	WASHER	WASH
4	SMALL WASHER	SMWASH
2	MACHINE SCREW	1MCHSS
6	PLASTIC SPACER	.25SP
2	FRONT MOUNTING BRACKET	BMF59-FRT
1	MOUNTING BRACKET LEFT REAR	BMF57-LR
1	MOUNTING BRACKET RIGHT REAR	BMF57-RR

SSLNUT
Lock Nut



1SS
Screw



1MCHSS
Machine Screw



WASH
Washer



SMWASH
Small Washer



.25SP
Plastic Spacer



BMF57-LR/ BMF57-RR
Rear Brackets



BMF59-FRT
Front Brackets



Recommended Tools offset or ratcheting screw driver, 7/16th Wrench.

Important Tips Installation should be done on an even surface. Do not use power tools to tighten hardware. Hand tools only. Avoid overtightening.

RALLY ARMOR - A BIT ABOUT OUR STANDARD IN MUD FLAPS

Rally Armor mud flaps are fabricated from a high grade polyurethane plastic that is rigorously reviewed for quality and consistency. As with all manufacturing processes, controlled conditions and multiple QC checkpoints minimize major irregularities, however certain very minor surface layer marks appear periodically. These are visual variations that do not affect construction nor do they impede the performance of the flaps. Most matte away as the material ages naturally with continued exposure to the outdoors. Each flap is unique in appearance yet all are equally structurally sound.

2019+ Hyundai Elantra GT N-Line/I30 N Mud Flap Installation Instructions

FRONT MUD FLAP

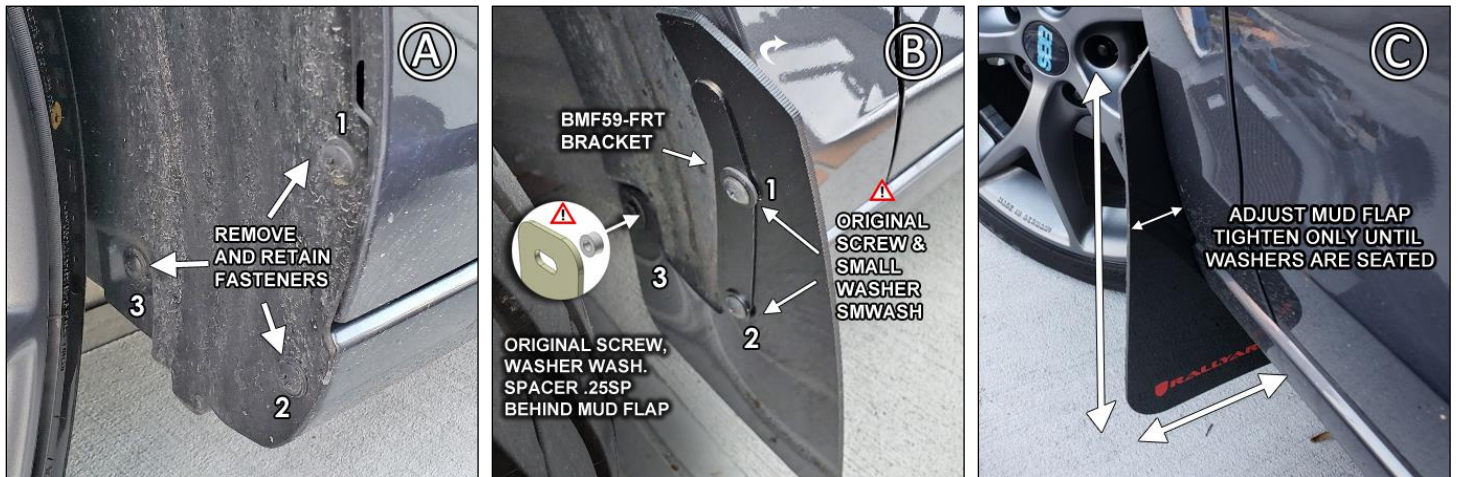
Hardware & Bracket 1 x Front Flap → 1 x BMF59-FRT; OEM Fasteners; 1 x WASH; 2 x SMWASH; 1 x .25SP

Turn the steering wheel towards the side you are working on to gain access to the inner wheel well area.

FIGURE A Remove and retain the 3 existing fender liner fasteners 1, 2 & 3 for reinstallation later. Clean wheel well area.

FIGURE B Place mud flap logo-side facing the rear of the vehicle against corresponding mounting points of FRONT MOUNTING BRACKET BMF59-FRT and fender. Reinstall original OEM screws & Small Washers SMWASH through BRACKET for mounting points 1 & 2. For mount 3, place PLASTIC SPACER .25SP behind the mud flap, against fender liner. Fasten with original OEM screw & WASHER tightening until flush. Do not overtighten.

FIGURE C View the rear of the vehicle to ensure the flaps are aligned. Make slight adjustments before tightening all mounting screws.



REAR MUD FLAP

Hardware & Bracket for 1 x Rear Flap → 1 x BMF57-LR/RR; 2 x SSLNUT; 1 x 1MCHSS; 2 x 1SS; 2 x .25SP; 3 x WASH

FIGURES D/E Remove wheel liner fasteners 1 & 2 then move line away.

FIGURE F Install REAR BRACKET BMF57-LR/RR using LOCK NUT SSLNUT, WASH WASHER and MACHINE SCREW 1MCHSS as shown.

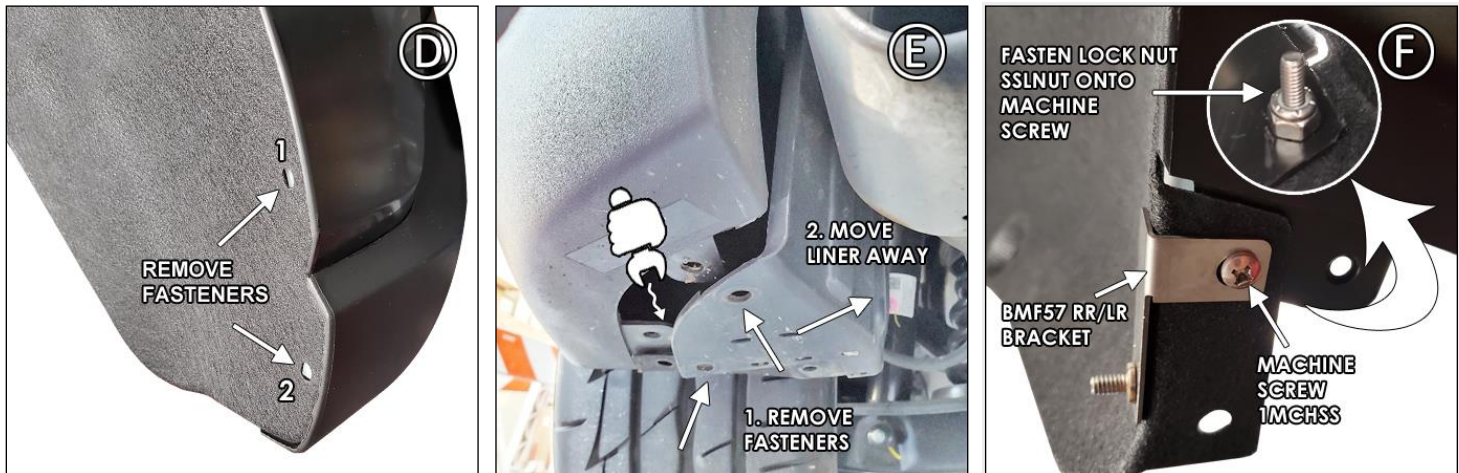
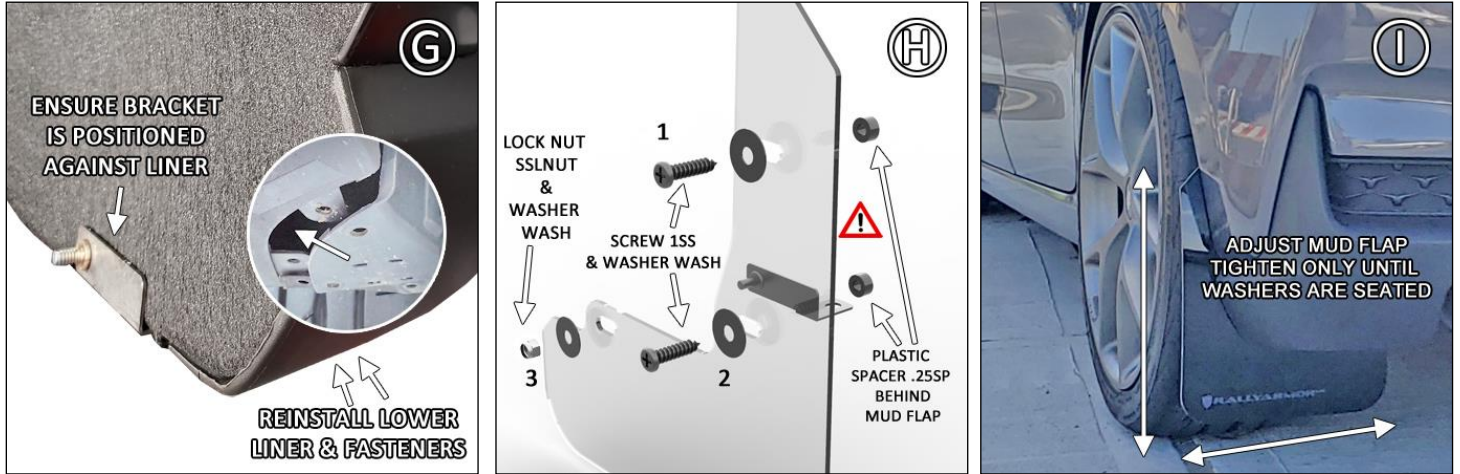


FIGURE G Reinstall lower wheel well liner with original OEM fasteners.

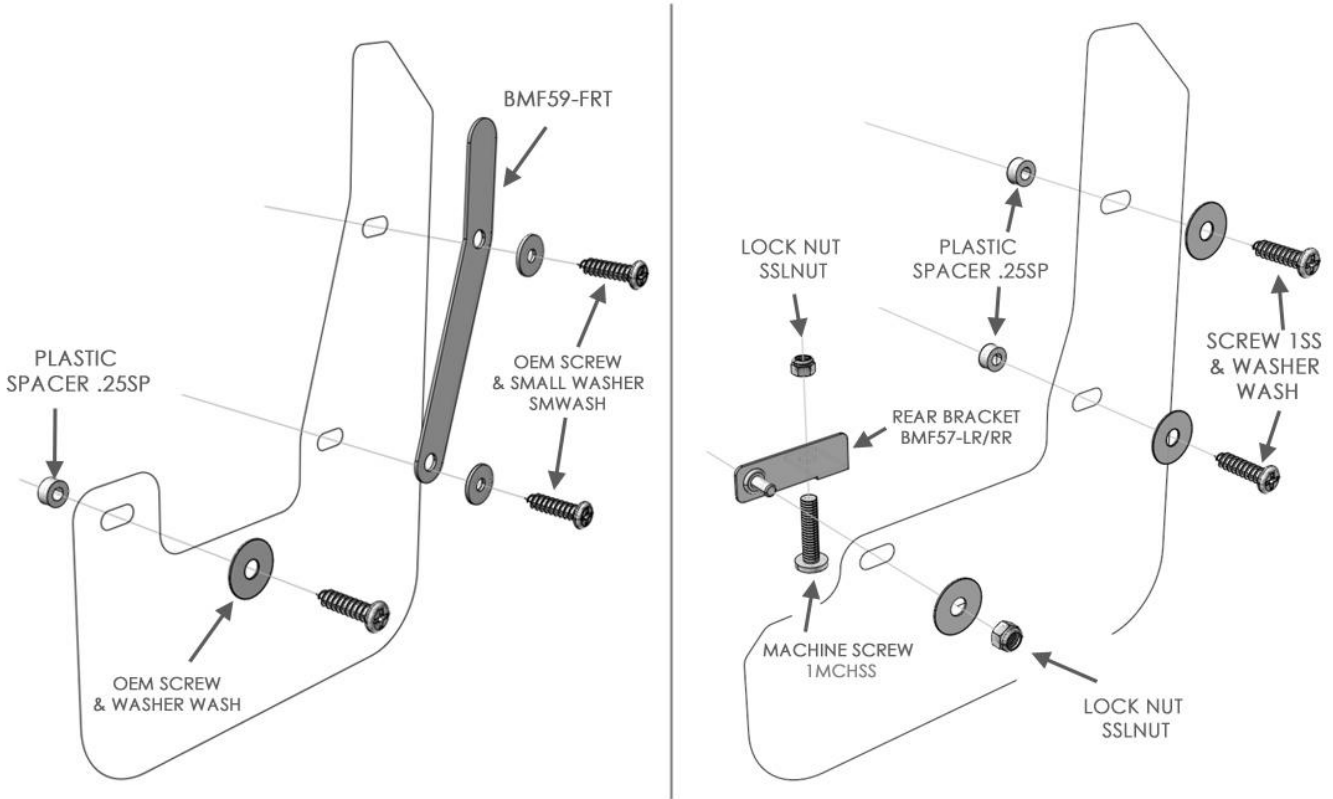
FIGURE H Install SCREW 1SS using WASHER WASH into mud flap through a PLASTIC SPACER .25SP. Secure interior section of mounting point 3 with a LOCK NUT and WASHER. Tighten only until mud flap is level with bumper. Do not overtighten.

2019+ Hyundai Elantra GT N-Line/I30 N Mud Flap Installation Instructions

FIGURE I Align outer edge of the flap by adjusting until the flap is perpendicular to even ground. Hand tighten until washers are seated.



FRONT **RALLYARMOR®** MF59 MOUNTING DIAGRAM REAR



Content and images are copyright of Rally Armor® LLC